

Low Prices  
Free Tech Support  
100% Satisfaction Guaranteed  
Free Shipping on orders over \$175



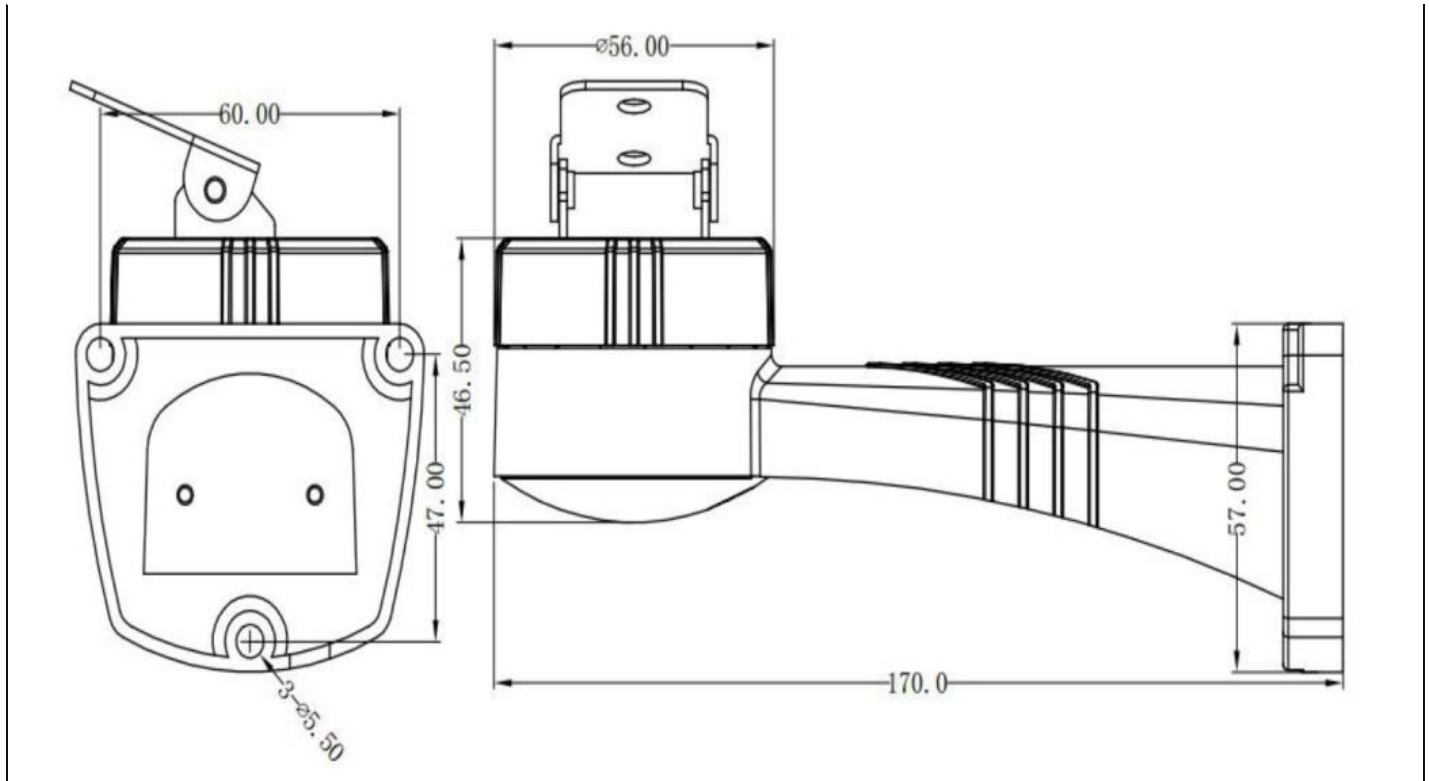
**Security Cams**  
Security Camera Equipment  
and Accessories

Online Shopping anytime  
or  
call toll free 1-866-996-8941  
M-F 9am-5pm PST



### RS-485 Panning Bracket

Address	0~10
Preset points	8 Points
Rotation Distance	255°
Preset speed	6°/Sec,12°/Sec or 20°/Sec.
Tours	1 line
Protocol	Pelco_D
Baud Rate	2400
Auto Scan	Yes
Intelligent power-off memory current setting and state	Yes
Home position	Yes
Ingress Protection IP66	Yes
Load Capacity	1 kg (2.2 lbs)
Operating Temperature	30°C~60°C (-22°F - 140°F)
Power	12V DC
Connection	RS485 (+/-)



For additional information please contact Security Cams  
Toll Free 1-866-996-8941 or Email: [sales@security-cams.com](mailto:sales@security-cams.com)